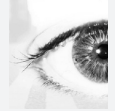




Stationary read device

OPC120P-F201-R2



- Reads 1-D and 2-D codes at high speeds of up to 10 m/s at 100 readings/s
- High depth of focus
- Reads barcodes up to 200 mm long
- Code quality index output
- Logo comparison
- Rotary encoder input
- Reliable on reflective surfaces through polarization filter technology
- Presence detection

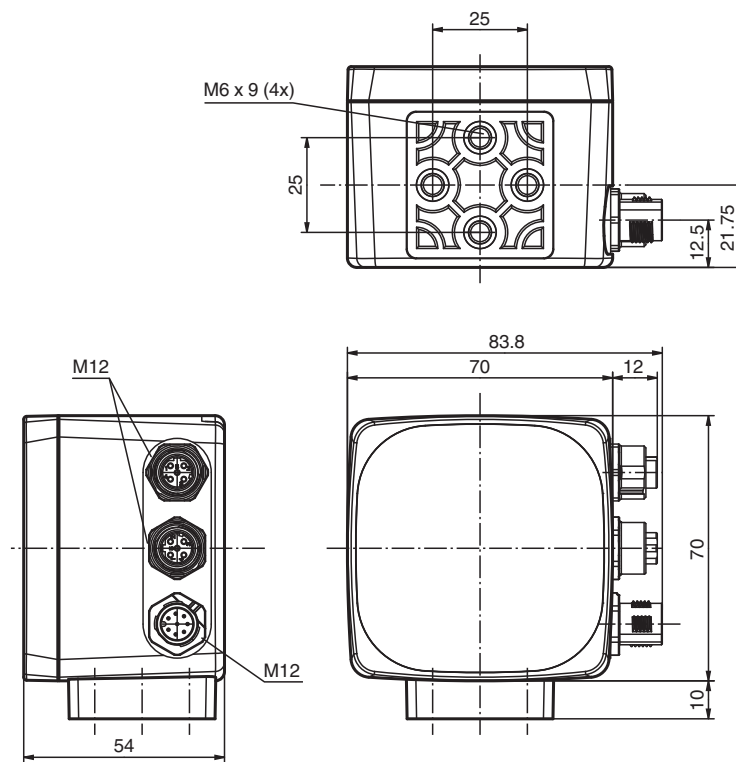
Optical Print Inspector, reads all common 1-D and 2-D codes, detects logos, Ethernet, RS 232, speeds of up to 10 m/s; polarization filter



Function

With the Optical Print Inspector, Pepperl+Fuchs provides the solution to code reading and detection tasks in the field of printing, paper, and packaging. Whether reading 1-D and 2-D codes at high speeds, reading reliably on reflective surfaces and at varying intervals, with overly long barcodes or performing diverse detection tasks with the Optical Print Inspector, you always have the right Vision Sensor at your disposal.

Dimensions



Technical Data

General specifications

Light type	Integrated LED lightning (white)
Polarization filter	yes
Symbologies	Data Matrix, Code 39, Code 128, Int 2 of 5, EAN13, Pharmacode
Read distance	70 ... 180 mm Nominal distance: 120 mm
Reading field	Minimum read field: 28 mm x 45 mm Read field at nominal distance: 45 mm x 70 mm Maximum read field: 65 mm x 105 mm
Modul size	Minimum module size: 0.2 mm
Evaluation frequency	up to 100 Hz
Target velocity	triggered max. 10 m/s
Data Matrix	
Symbol size	rectangular up to 144 x 144 modules rectangular up to 16 x 48 modules
Data format	ASCII, C40, Text, X12, Edifact, Base 256 , all according to ISO 646
Orientation	omnidirectional

Nominal ratings

Camera	
Type	CMOS , Global shutter
Number of pixels	752 x 480 pixels
Gray scale	256
Image recording	real-time , Program-controlled or triggered externally

Functional safety related parameters

Release date: 2020-05-08 Date of issue: 2020-05-08 Filename: 256354_eng.pdf

Refer to "General Notes Relating to Pepperl+Fuchs Product Information".

Pepperl+Fuchs Group
www.pepperl-fuchs.com

USA: +1 330 486 0001
fa-info@us.pepperl-fuchs.com

Germany: +49 621 776 1111
fa-info@de.pepperl-fuchs.com

Singapore: +65 6779 9091
fa-info@sg.pepperl-fuchs.com

 PEPPERL+FUCHS

Technical Data

MTTF _d		40.5 a
Mission Time (T _M)		8 a
Diagnostic Coverage (DC)		0 %
Indicators/operating means		
Operation indicator		LED green: Ready for operation
LED indicator		for good/poor reading
Electrical specifications		
Operating voltage	U _B	24 V DC ± 15% , PELV
No-load supply current	I ₀	max. 250 mA
Power consumption	P ₀	6 W
Interface		
Interface type		serial , RS 232
Transfer rate		max. 115.2 kBit/s
Cable length		max. 30 m
Interface 1		
Interface type		Ethernet
Protocol		TCP/IP
Transfer rate		100 MBit/s
Cable length		max. 30 m
Input		
Input voltage		to be applied externally 24 V ± 15% PELV
Number/Type		Trigger
Input current		approx. 10 mA at 24 V DC
Switching threshold		low: < 10 V, high: > 15 V
Cable length		max. 30 m
Output		
Number/Type		GOOD, BAD, Matchcode
Switching type		PNP
Switching voltage		to be applied externally 24 V ± 15 % PELV
Switching current		100 mA each output
Cable length		max. 30 m
Compliance with standards and directives		
Standard conformity		
Noise immunity		EN 61326-1:2006
Emitted interference		EN 61000-6-4:2007/A1:2011
Degree of protection		EN 60529
Laser class		IEC 60825-1:2007
Approvals and certificates		
UL approval		cULus Listed, General Purpose, Class 2 Power Source, Type 1 enclosure
CCC approval		CCC approval / marking not required for products rated ≤36 V
Approvals		CE
Ambient conditions		
Ambient temperature		0 ... 45 °C (32 ... 113 °F)
Storage temperature		-20 ... 60 °C (-4 ... 140 °F)
Mechanical specifications		
Degree of protection		IP67
Connection		8-pin, M12x1 connector, standard (supply+IO) , 5-pin, M12x1 socket, standard (RS 232) , 4-pin, M12x1 socket, standard (LAN)
Material		
Housing		PC/ABS
Installation		4 x M6 threading
Mass		approx. 160 g

Release date: 2020-05-08 Date of issue: 2020-05-08 Filename: 256354_eng.pdf

Connection

RS 232



Pin Signal

- 1 +UB
- 2 TX RS232
- 3 GND
- 4 RX RS232
- 5 NC

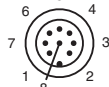
LAN



Pin Signal

- 1 TX+ Ethernet
- 2 RX+ Ethernet
- 3 TX- Ethernet
- 4 RX- Ethernet

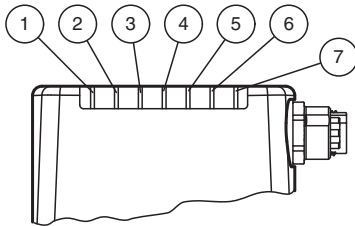
(24 V DC + I/O)



Pin Signal

- 1 IN Trigger
- 2 +UB
- 3 OUT Good
- 4 OUT Bad
- 5 IN 1
- 6 IN Encoder A
- 7 GND
- 8 OUT Matchcode

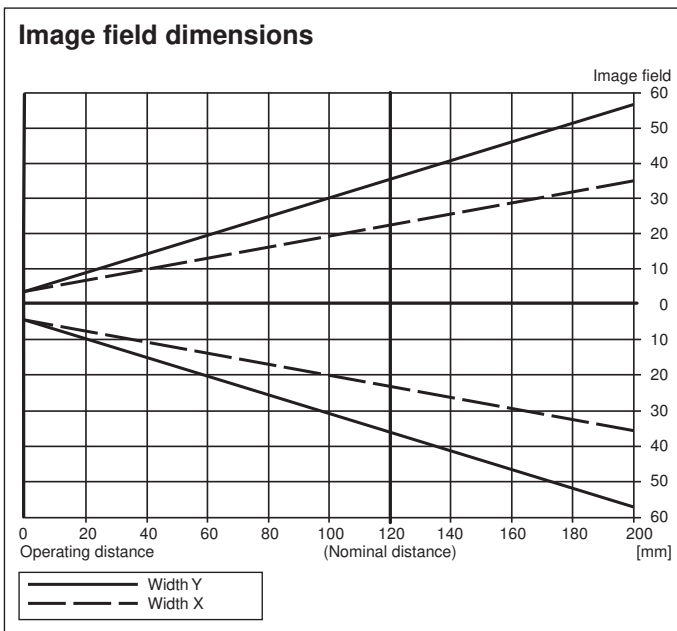
Assembly



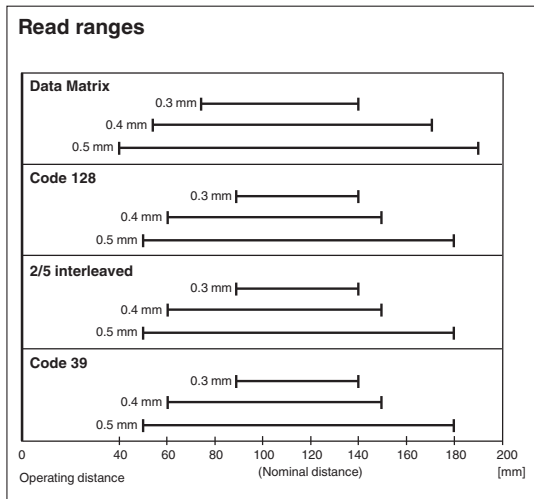
1	LED DIAG2	yellow
2	LED DIAG1	yellow
3	LED POWER	green
4	LED READY	yellow
5	LED BAD	yellow
6	LED GOOD	yellow
7	LED TRIGGER	yellow

Characteristic Curve

Image field dimensions



Release date: 2020-05-08 Date of issue: 2020-05-08 Filename: 256354_eng.pdf



Accessories

	V19-G-2M-PUR-ABG	Female cordset, M12, 8-pin, shielded, PUR cable
	V15S-G-5M-PUR-ABG	Male cordset, M12, 5-pin, shielded, PUR cable
	V1SD-G-2M-PUR-ABG-V45-G	Connection cable, M12 to RJ-45, PUR cable 4-pin, CAT5e
	V1SD-G-2M-PUR-ABG-V45X-G	Connection cable, M12 to RJ-45, PUR cable 4-pin, CAT5e
	V19-G-ABG-PG9	Female connector, M12, 8-pin, shielded, field attachable
	V19-G-0,2M-YOPC-0,2M-V1S/V31-G	Y connection cable

Accessories

Other suitable accessories can be found at www.pepperl-fuchs.com

Release date: 2020-05-08 Date of issue: 2020-05-08 Filename: 256354_eng.pdf

Refer to "General Notes Relating to Pepperl+Fuchs Product Information".

Pepperl+Fuchs Group
www.pepperl-fuchs.com

USA: +1 330 486 0001
fa-info@us.pepperl-fuchs.com

Germany: +49 621 776 1111
fa-info@de.pepperl-fuchs.com

Singapore: +65 6779 9091
fa-info@sg.pepperl-fuchs.com

 **PEPPERL+FUCHS**